

PACEMAKER FAREBOX



The Pacemaker is a high security farebox designed specifically for those applications where there is very little floor space available for farebox mounting, such as in vans and other small buses.

The Pacemaker utilizes a single slot for the acceptance of coins, bills, and tickets along with an 180° viewing window for fare verification. Emphasizing security, the Pacemaker automatically closes the coin/bill acceptor slot to prevent pilfering, is equipped with high security locks, and is manufactured with reinforced high gauge stainless steel.

Low cost, low maintenance, reduced fare abuse and virtually maintenance free, the Pacemaker is engineered to provide many years of reliable service.

GFI GENFARE
AN SPX DIVISION

SPECIFICATIONS

Fare Acceptance:

Coins	All
Tokens	All
Paper	All Bills and Tickets

Keys and Locks:

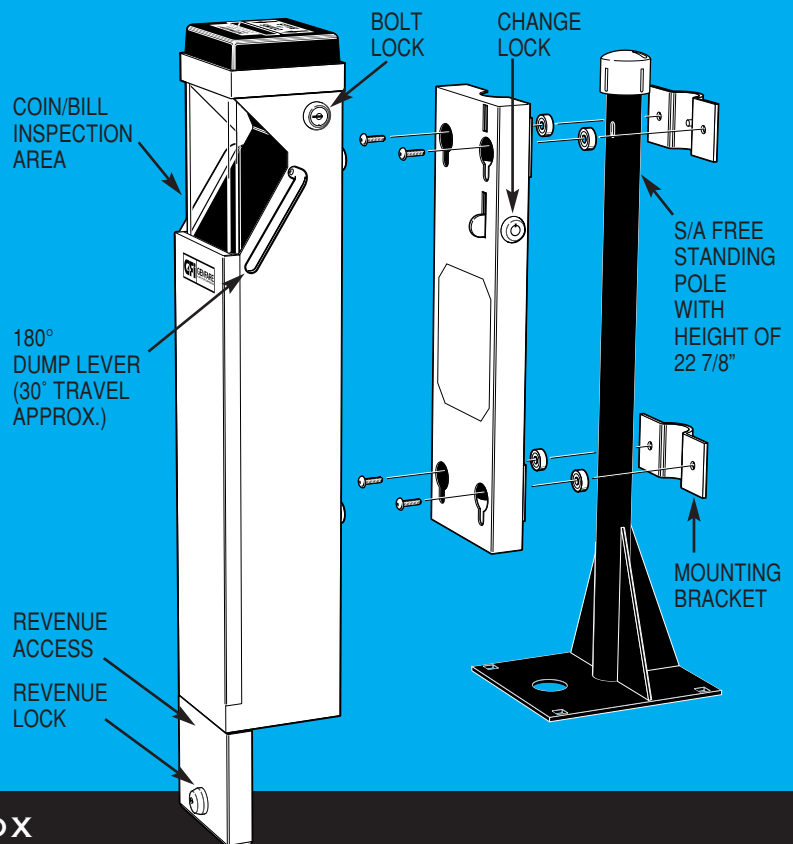
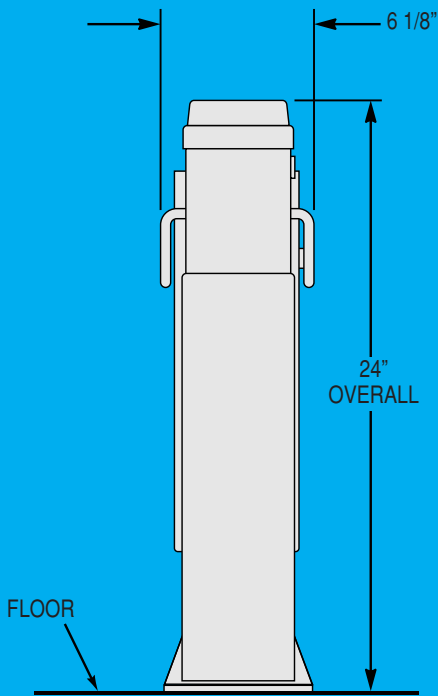
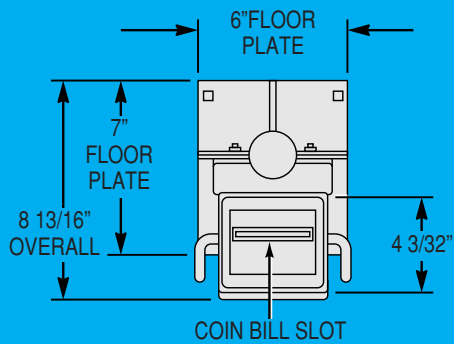
Farebox Security Key	Bolt Lock
Farebox Revenue Key	High Security with Stainless Steel Cam
S/A Mounting Bracket Security	Change Lock

Construction:

Cabinet	Stainless Steel (.060" Thk., 16 gauge)
Castings	Black Epoxy, Coated Aluminium
Inspection Window3/16" Polycarbonate

Mounting Requirements:

- Stainless Steel S/A Mounting Bracket for Mounting to Standard Bus Grab Rail or S/A Free Standing Pole (shown below)
- Optional: Black Epoxy Coated S/A Free Standing Pole for Mounting Farebox to Floor



PACEMAKER FAREBOX

The Pacemaker farebox is designed for special limited service applications where space is at a premium and there is a requirement for the secure collection of coins and dollar bills.

The Pacemaker is an integrated unit which serves both as farebox and cashbox. The upper portion of the casing has a fare acceptance area with an anti-pilfering coin/bill slot, 180° inspection window, and tip plate mechanism. When the handle is pressed to tip the plate, the entry slot is automatically closed.

The collected revenues are removed from the farebox by means of a reinforced door on the bottom of the farebox protected by a high security lock. The unit can be either mounted on an existing pole in the vehicle or on an optional free standing pole.

The Pacemaker is able to accept all denominations of coins and tokens, as well as all bills in the full open position. Its unique design is able to hold up to \$100 in dollar bills and \$350 in coins, making it ideal for small bus operations or special service applications.



751 Pratt Blvd., Elk Grove Village, IL 60007, USA
 Tel: (847) 593-8855 Fax: (847) 593-1824
 E-mail: GFI.Sales@spx.com
 Website: www.gfigenfare.com