

CARDQUEST FARE PAYMENT TERMINAL



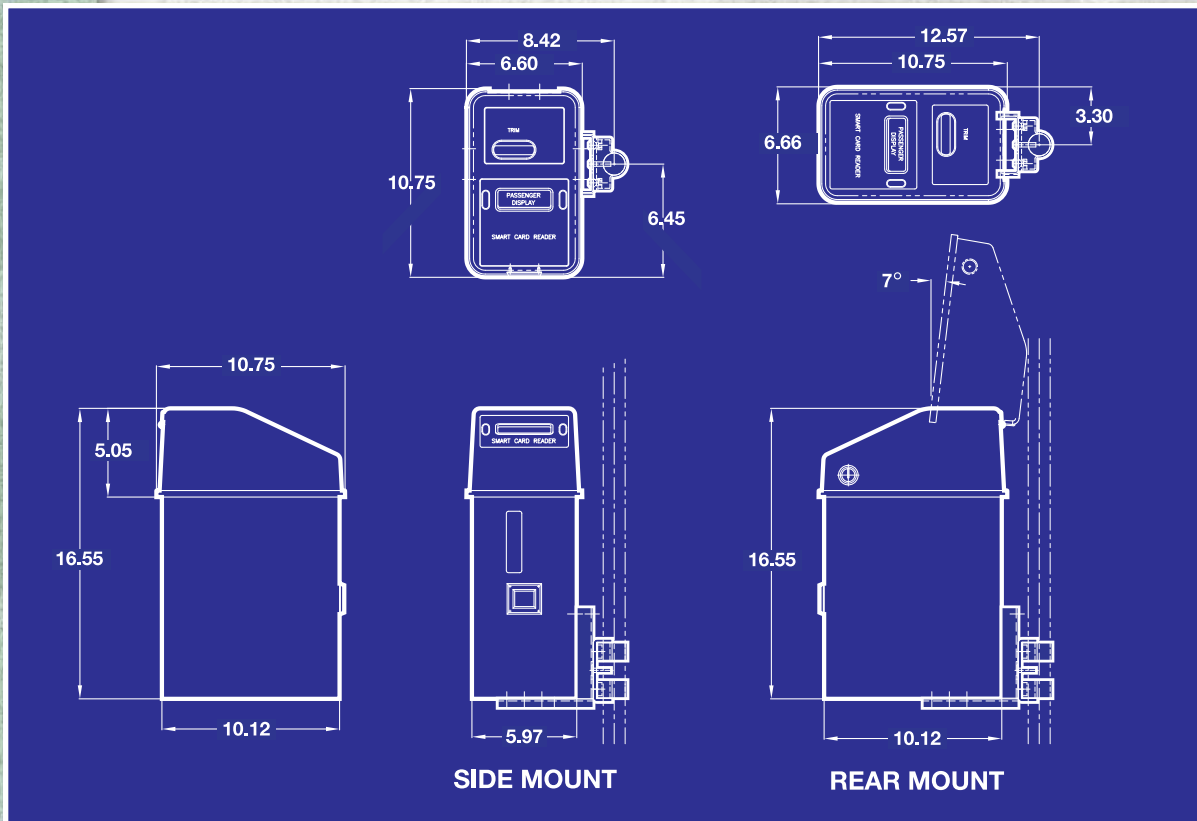
The Cashless Farebox for Smart and Magnetic Cards

- Processes smart cards, magnetic cards, or both
- Applications include paratransit, express service/bus rapid transit, or auxiliary to conventional farebox
- Configurable for self-service or attended operation (control unit required for driver intervention)
- Supports smart card processors from most major manufacturers – can process ISO 14443 type A and B and Mifare cards
- Can issue tickets or receipts from internal cassette
- Backlit LCD screen shows remaining value, other transaction data
- Pushbuttons enable passenger interaction, e.g., to obtain transfer or receipt
- Compact, rugged design – mounts on stanchion or pedestal
- Uses proven GFI technology, including TRiM ticket processing unit (15,000 in service), high-speed infrared data probing, Version 7 data system
- Modular design for easy maintenance



AN SPX DIVISION

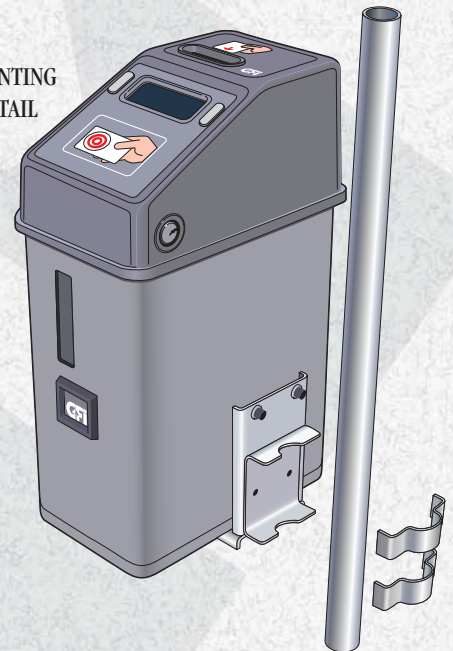
CARDQUEST DIMENSIONS



CARDQUEST SPECIFICATIONS

Dimensions:	6.60" x 16.55" x 10.75"
Cabinet Material:	Stainless steel
Top Cover:	Polycarbonate
Display:	1" x 8" backlit LCD
Dataport:	GFI Infrared
Smart Cards:	Mifare and ISO 14443 A & B
Magnetic Cards:	2-1/8" x 3-3/8" x 0.010" thick
Card Tracks:	Read tracks 2 & 3, writes to track 2
Card Print:	Full width thermal printer with multiple fonts
Card Cassette:	Holds 600-800 blank cards
Weight:	25 lbs.
Mounting:	Stanchion or pedestal
Voltage:	12 VDC
Card Types:	Period passes, stored ride/ value cards, 3rd party payment cards, school passes
Card Function:	Reads and validates cards, deducts fares, prints and issues receipts

MOUNTING
DETAIL



GFI GENFARE

AN SPX DIVISION

751 Pratt Blvd., Elk Grove Village, IL 60007
 Tel: (847) 593-8855 Fax: (847) 593-1824
 E-mail: GFI.Sales@spx.com
 Website: www.gfigenfare.com